

# Gantry System 3 Safety Cover Assembly

## Materials Included:

(2) left side panels; (1) right side panel; (2) front doors; (1) magnetic crossbar, (1) rear panel; (20) screws; (20) nuts; (20) washers.

[see next page for checklist...]

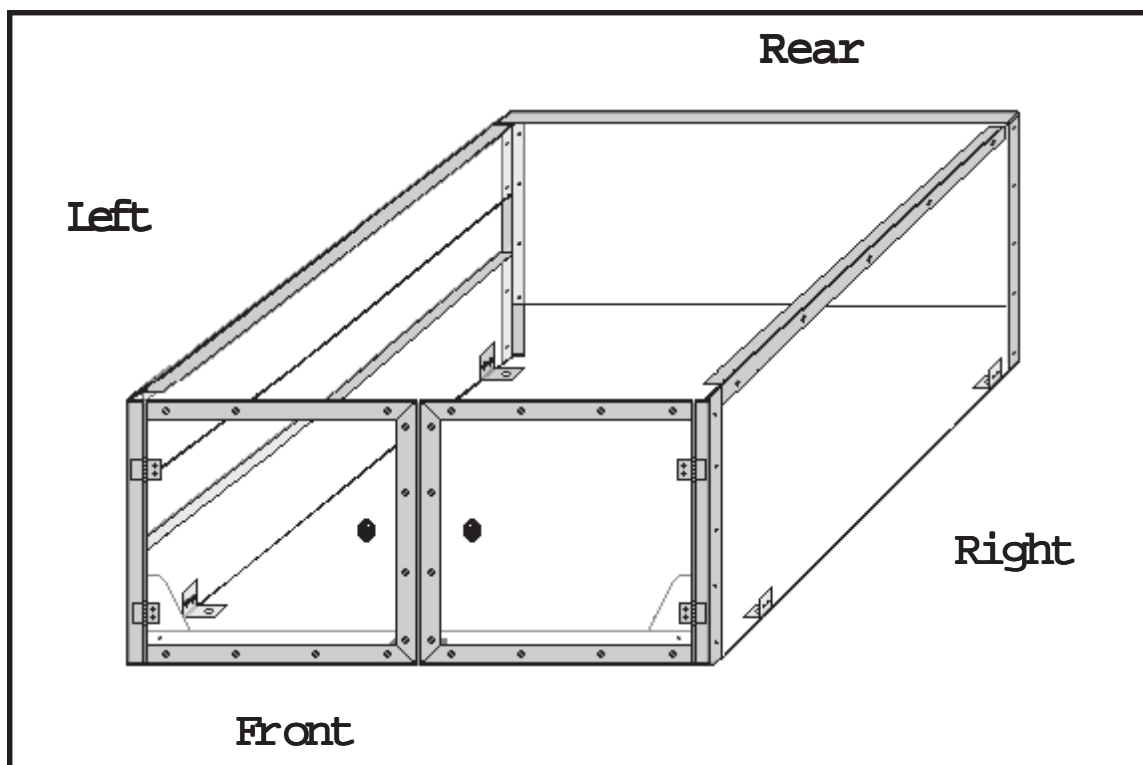
## Tools Required:

(1) Phillips head screw driver; (1) adjustable wrench.

**Note:** Remove paper layer covering plexi-glass panels prior to assembly.

**Techno**isel

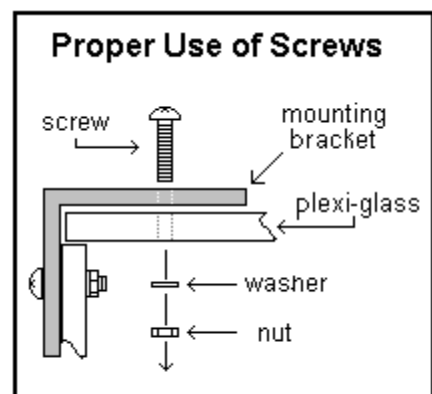
2101 Jericho Turnpike  
New Hyde Park, NY 11042-5416  
Phone: (516) 328-3970  
Fax: (516) 358-2576  
Email: Techno@specdata.com



## Securing Screws

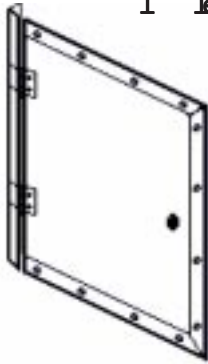
1. Insert screw into desired hole.
2. Place a washer on the exposed end of screw.
3. Secure with nut.

**Note:** As depicted in the illustration, the screws' exposed ends, should point inward with the screws' heads on the outside. Also, when securing a series of screws, first tighten each screw until you feel some resistance. After each screw on a given panel is tightened in this fashion, then firmly tighten each screw. You may wish to employ a wrench (to hold the nut) when tightening.

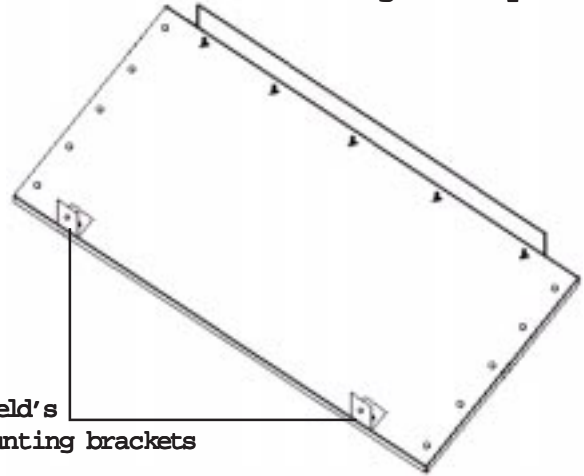


# Materials Checklist

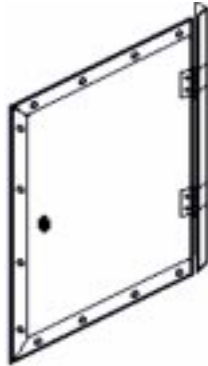
1 left front door



1 right side panel

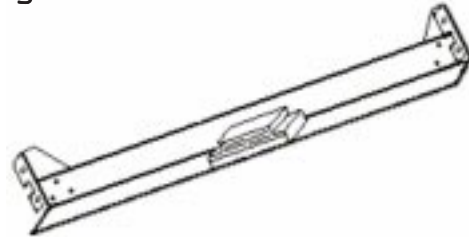


1 right front door

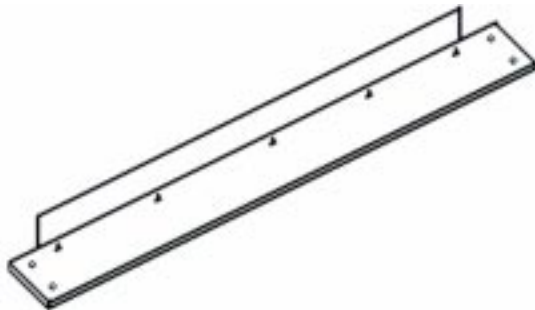


shield's mounting brackets

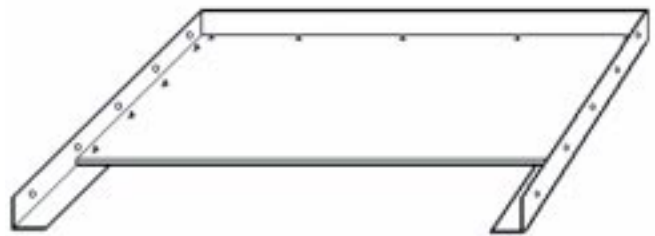
1 magnetic crossbar



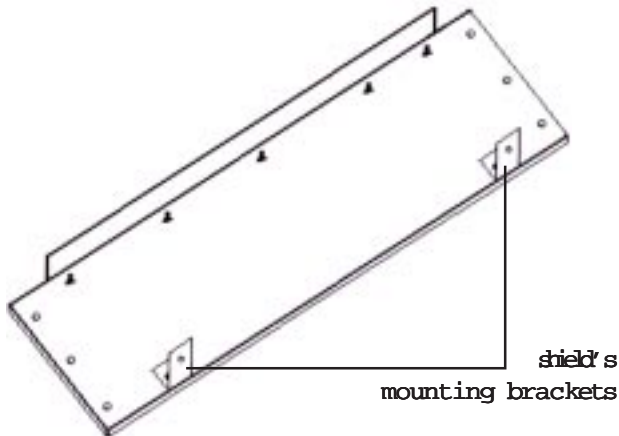
1 upper left side panel



1 rear panel



1 lower left side panel



shield's mounting brackets



20 Phillips head screws



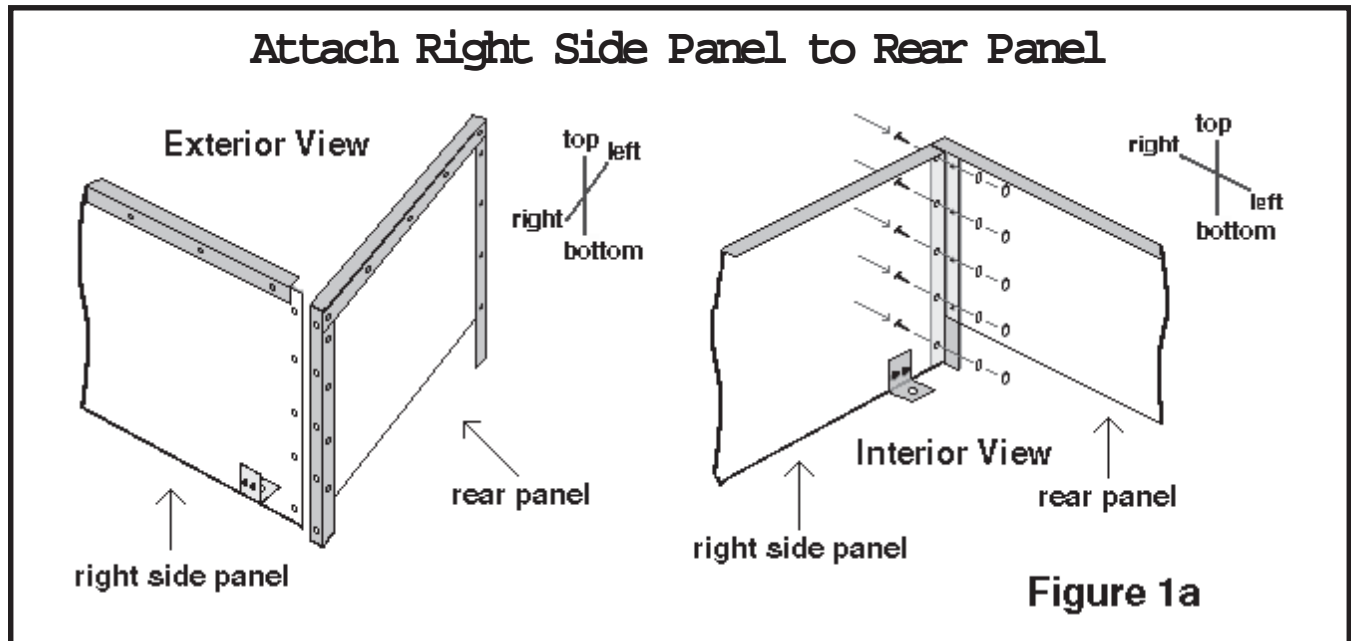
20 flat lock washers



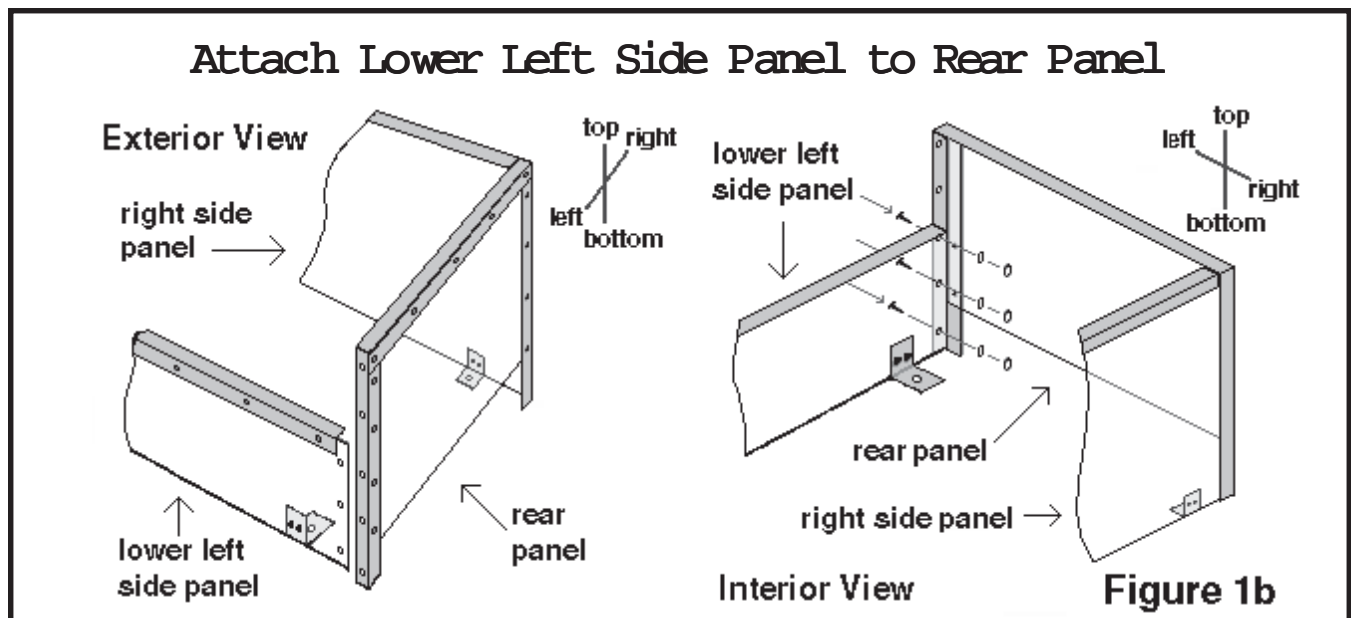
20 nuts

# Assembly Instructions

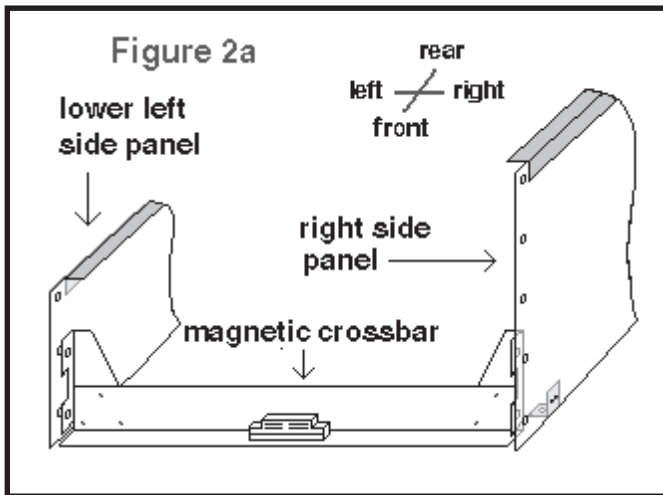
- Attaching Side Panels to Rear Panel (see Figures 1a & 1b).
  1. Stand the rear panel upright. Position the right side panel at a 90° angle to the rear panel.
  2. Fit the plexiglass end of the right side panel flush against the inside wall of the rear panel's bracket. There are five holes in both panels that should line up (if the five holes do not line up, reposition panels until they do).
  3. Secure right side panel to rear panel through the five aligned holes. Use the screws, washers and nuts provided.



4. Position the lower left side panel at a 90° angle to the bottom part of the rear panel (across from the right side panel) .
5. Fit the plexiglass end of the lower left side panel flush against the inside wall of the rear panel's bracket.
6. Align the first three holes (bottom to top) of the rear panel to those of the lower left side panel. Secure panels to one another using the screws, washers and nuts provided.



- Attaching Magnetic Crossbar and Front Doors to Side Panels  
(see Figures 2a through 2c).



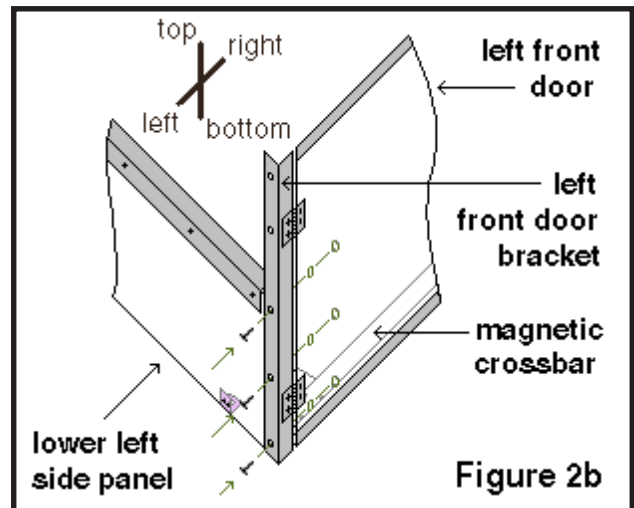
### Position Magnetic Crossbar:

1. Place the magnetic crossbar between the front ends of the right and lower left side panels. Make sure that the magnetic strips, located in the middle of the crossbar, are facing out.
2. Align the two sets of holes on the beam's brackets with the first two holes (bottom to top) of the plexiglass ends on the right and lower left side panels.

**Note:** Make sure not to secure side panels to the crossbar at this point. There is another step that must be performed before securing.

### Secure Left Front Door

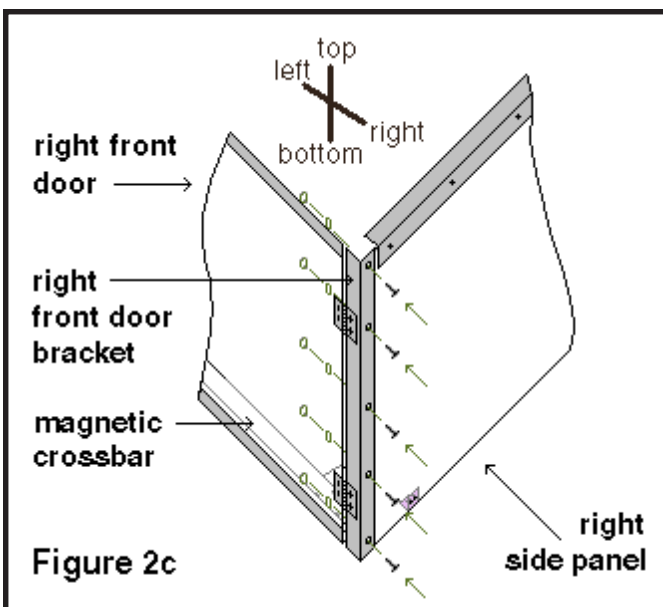
1. Place the left front door upright so that its bracket hugs the corner. Look to see that the door knob is in the middle and facing out. The holes in the door's bracket should line up with the three holes of the lower left side panel and the two holes of the magnetic crossbar.
2. Once the holes are aligned, secure the door to the lower left side panel and the magnetic crossbar. The first two holes will connect all three together. The third hole from the bottom will further secure the left front door to the lower left side panel.



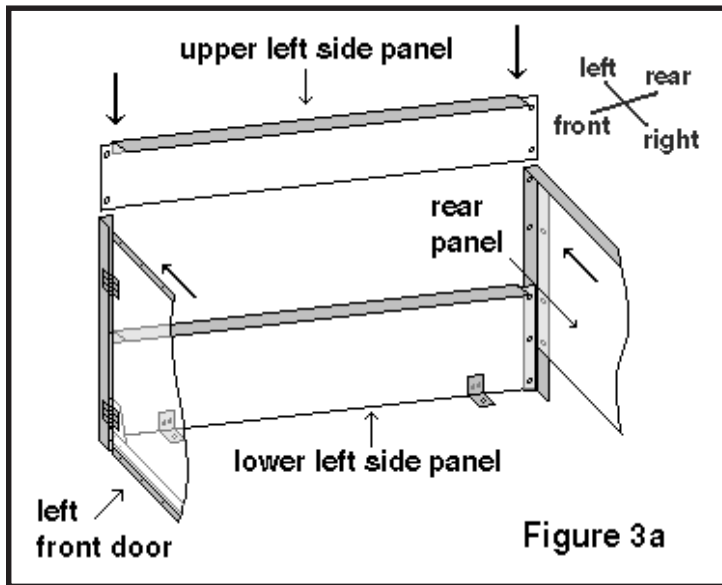
**Note:** The top two holes of the left front door's bracket are reserved to secure the upper left side panel.

### Secure Right Front Door

1. Place the right front door upright so that its bracket hugs the corner. Look to see that the door knob is in the middle and facing out. The holes in the door's bracket should line up with the five holes of the right side panel and the two holes of the magnetic crossbar.
2. Once the holes are aligned, secure the door to the right side panel and the magnetic crossbar. The first two holes will connect all three together. The top three holes will further secure the right front door to the right side panel (but not the magnetic crossbar).



- Attaching Upper Left Side Panel to Rear Panel and Left Front Door  
(see Figures 3a and 3b).



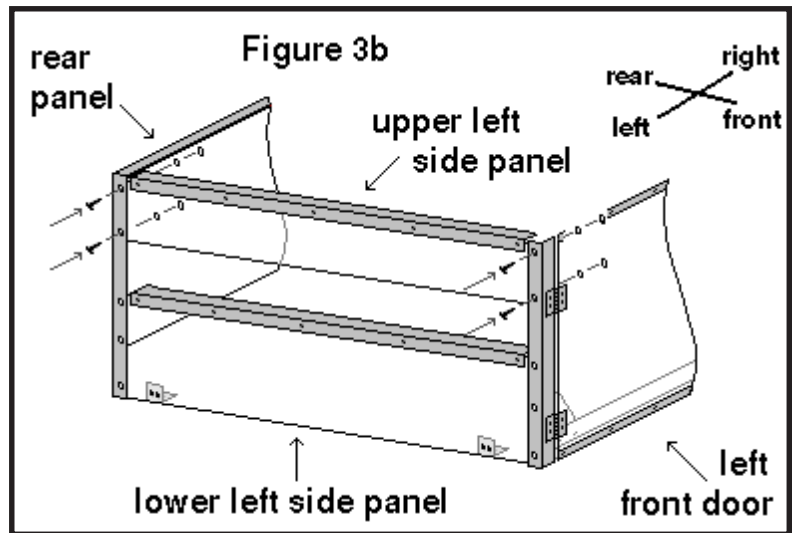
### Position Upper Left Side Panel:

1. Place the upper left side panel on the inside of both the rear panel and the left front door. Make sure this panel is positioned above the lower left side panel so that they make a window between them.
2. Align the two sets of holes at both plexiglass ends of the upper left side panel, with the top two holes on the rear panel's bracket and the left front door's bracket.

**Note:** The rear plexiglass end of the upper left side panel should fit snugly beneath the rear panel's crossbar and flush against the inside of the bracket.

### Secure Upper Left Side Panel:

1. Insert a screw into the top hole at the rear-left end. Make sure the screw goes through the top hole of the upper left side panel. Before securing this screw, insert another screw into the top hole of the front end. This should hold the piece in place while you prepare to secure it.
2. Once it is held in position, secure the upper left side panel to the rear panel and the left front door at the two top holes at either end. Use the screws, nuts and washers provided.



**Note:** Now that your safety shield is assembled, retrace all the screws you used in securing the shield. Make sure they are all firmly tightened. You may use a wrench to hold the nut to tighten some of the screws.

- Mount Safety Shield to Machine Stand

1. Remove the four mounting bolts that currently secure your machine to the machine stand.  
**Note:** Be extra careful when placing the safety shield on top of your machine. You may need to angle the shield's frame so that the protruding Motor fits through the left side window.
2. With a helper, lift and place the safety shield on top of your machine stand. Make sure that the front doors of the shield are at the front of the machine.
3. Align the four holes of your shield's mounting brackets (located on the inside of your lower left and right side panels) over the four holes where you removed the machine's mounting bolts. The shield should now be on top of the machine which rests on top of the machine stand.
4. Reinsert the bolts that you removed in Step 1. and secure the safety shield and machine to the machine stand.